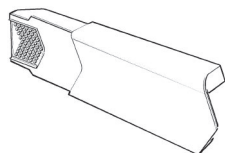
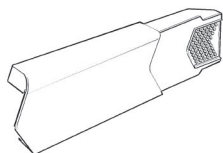


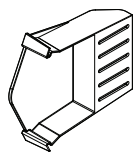
The Complete System



Left Hand Dry Verge Unit
(Code: GDV-LH)



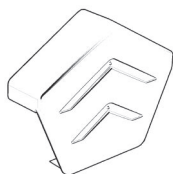
Right Hand Dry Verge Unit
(Code: GDV-RH)



Rebated Eaves Closure Unit
(Code: GDV-REC)



Round Ridge End Cap
(Code: GDV-END-R)



Angled Ridge End Cap
(Code: GDV-END-A)



Eaves Closure Unit
(Code: GDV-EC)

Note: careful attention should be taken when specifying 'Right' & 'Left'.



Right Hand Verge



Left Hand Verge

Colours:
GR - Slate Grey
BR - Dark Brown
TR - Terracotta
WH - White

TABLE A

Interlocking Tile

Double Pantile / Mendip
50 Double Roman / Double Roman
Regent / Bold Roll
Renown / Ludlow Major / Lindum
Pantile / Anglia Plus
49 / Ludlow Plus / Standard Pattern
Mini Stonewold / Modern / Calderdale
Wessex

Right Hand Verge

Flush with end of batten
Flush with end of batten
Flush with end of batten
15mm in from end of batten
Flush with end of batten
15mm in from end of batten
15mm in from end of batten
15mm in from end of batten
15mm in from end of batten

Left Hand Verge

15mm in from end of batten
15mm in from end of batten
15mm in from end of batten
Flush with end of batten
15mm in from end of batten
Flush with end of batten
Flush with end of batten
Flush with end of batten
Flush with end of batten

Other products from the Manthorpe Range include Cavity Trays, Cavity Closer, Loft Doors, Roof Ventilation, Through Wall Ventilation and Joist Seals.



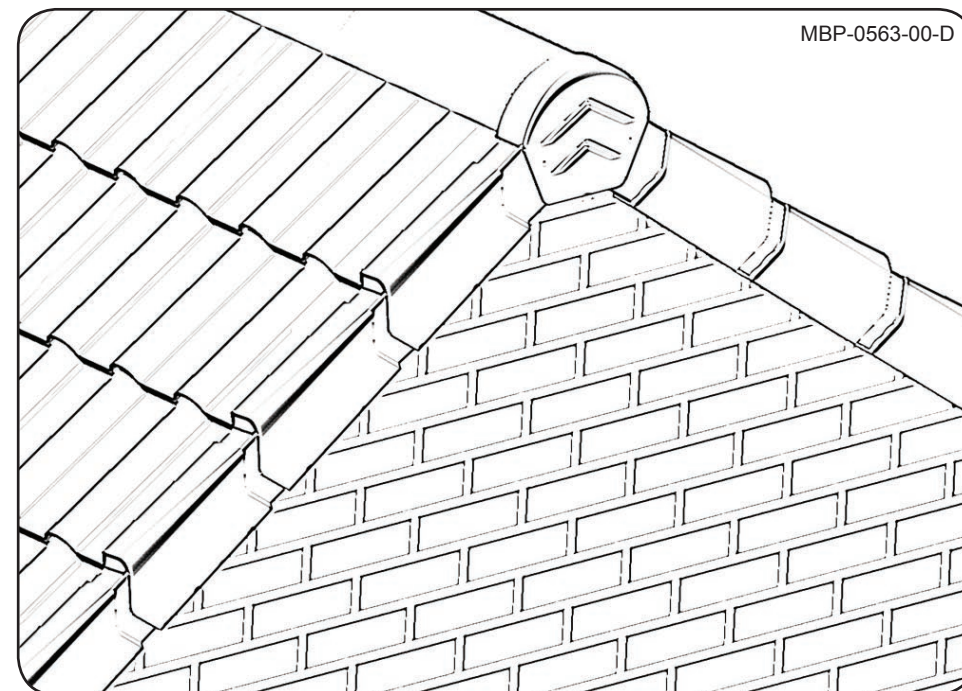
Manthorpe Building Products Limited

Manthorpe House, Brittain Drive, Codnor Gate Business Park, Ripley, Derbyshire DE5 3ND
T: (01773) 514200 F: (01773) 514262 E: bpsales@manthorpe.co.uk
W: <http://www.manthorpe.co.uk>

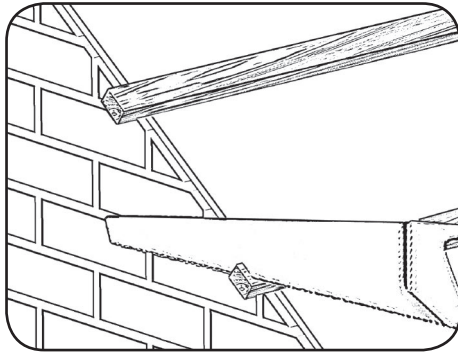


SmartVerge™ Dry Verge System

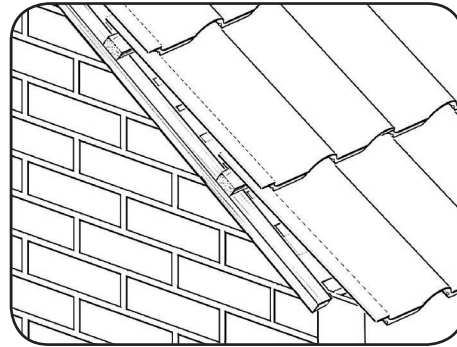
Fixing Instructions



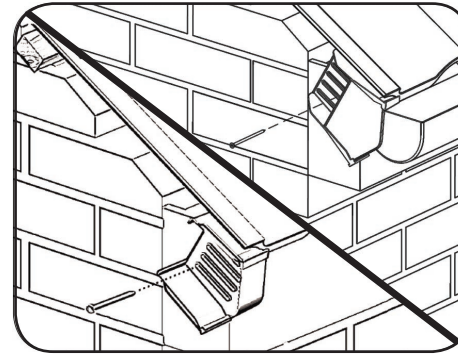
Installation



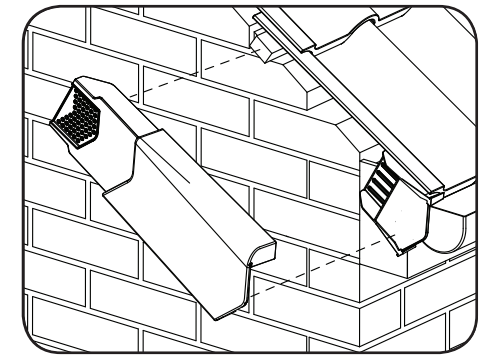
1. Saw the tiling battens off square so that they overhang the gable wall or bargeboard by **30mm**. The top course tiling battens should be distanced no further than **85mm** from the apex. Lay the right hand and left hand tiles in accordance with **TABLE A** overleaf.



2. For **refurbishment** situations where the ends of the tiling battens are bedded in mortar or showing signs of degradation, securely fix a length of 25mm x 38mm batten strip along the entire length of the verge as shown above. This can be used for nailing each Dry Verge Unit to the verge of the roof in place of the batten ends.

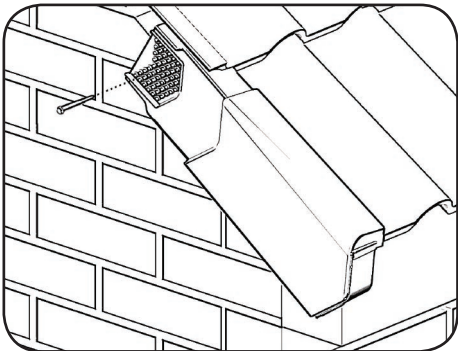


3. There are two types of eaves closure available; standard (GDV-EC) and rebated (GDV-REC). Choose the suitable product for the detail, clip it into the front nose of the Dry Verge Unit and place this over the first eaves tile. Mark out the position of the Eaves Closure Unit, then carefully remove the Dry Closure Unit. Nail with the fixings provided into suitable timber structure, or plug and screw with stainless steel fixings into the masonry.

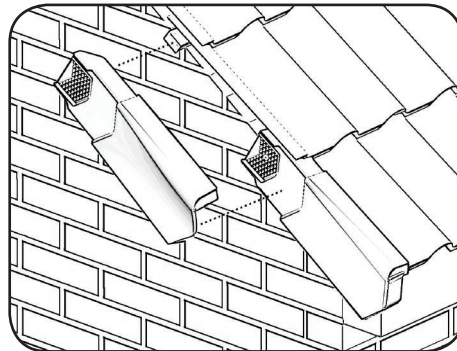


4. 'Flex' open the first **Left Hand Dry Verge Unit** and position over the Eaves Closure Unit. Push the Verge Unit onto the Eaves Closure until both sides of the clip engage with the outer fins of the Eaves Closure Unit.

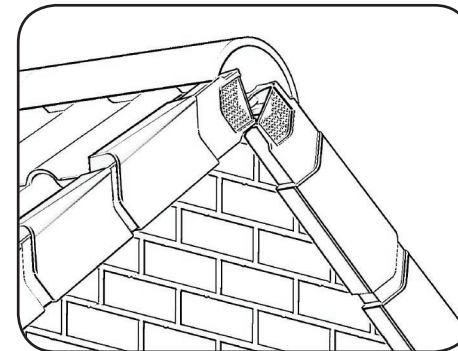
IMPORTANT: The first verge unit at the eaves must be securely fixed at both the tail and the nose of the unit.



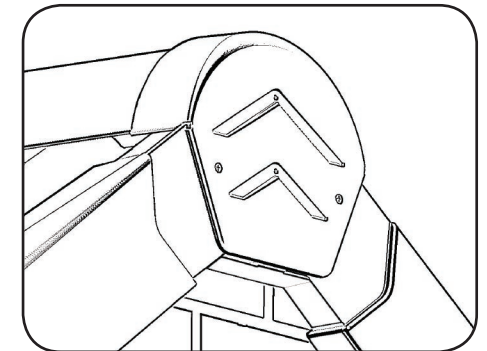
5. Slide the Dry Verge Unit with the Eaves Closure up along the tile towards the apex until the Verge Unit butts against the end of the tile. Nail the tail end of the Verge Unit through an appropriate hole so that the nail penetrates the centre of the tiling batten end and firmly holds the Dry Verge in place. (Note: Use 3.35mm shank diameter spiral roll or annular shank nails, 38mm in length).



6. 'Flex' open a second Dry Verge Unit and push on to the tail of the first until both sides of the clip engage with the tail fins of the first. Once again ensure the Verge Unit butts against the end of the tile, then nail the tail end of the Verge Unit through an appropriate hole so that the nail penetrates the centre of the tiling batten.



7. Repeat this process up the verge until all tiles have been covered. Once the Left Hand Verge is completed repeat steps 1 to 7 on the opposite verge, this time using the **Right Hand Verge Units**.



8. To finish the roof at the apex, place the Ridge End Cap over the end of the ridge tile so that it hooks over both Dry Verge Units. Using the screws provided, screw into the Ridge End Cap through the desired blind nail hole and into the end of the ridge batten, or, if this is not available, into the top tiling battens.